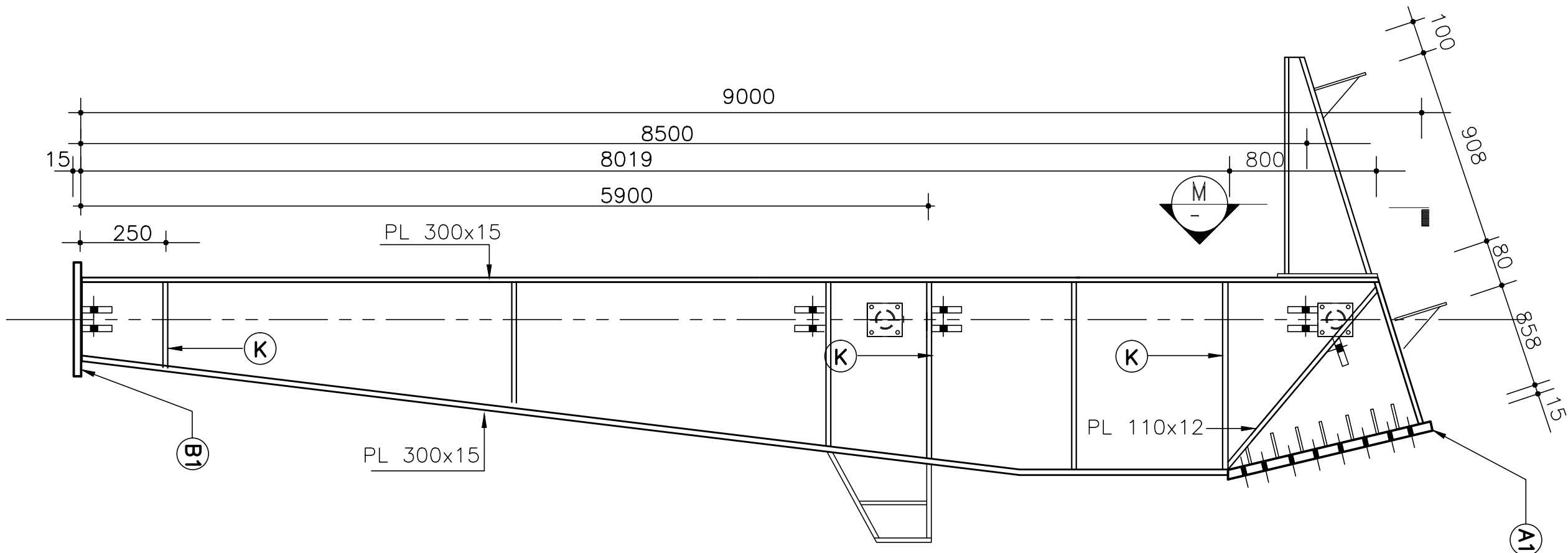
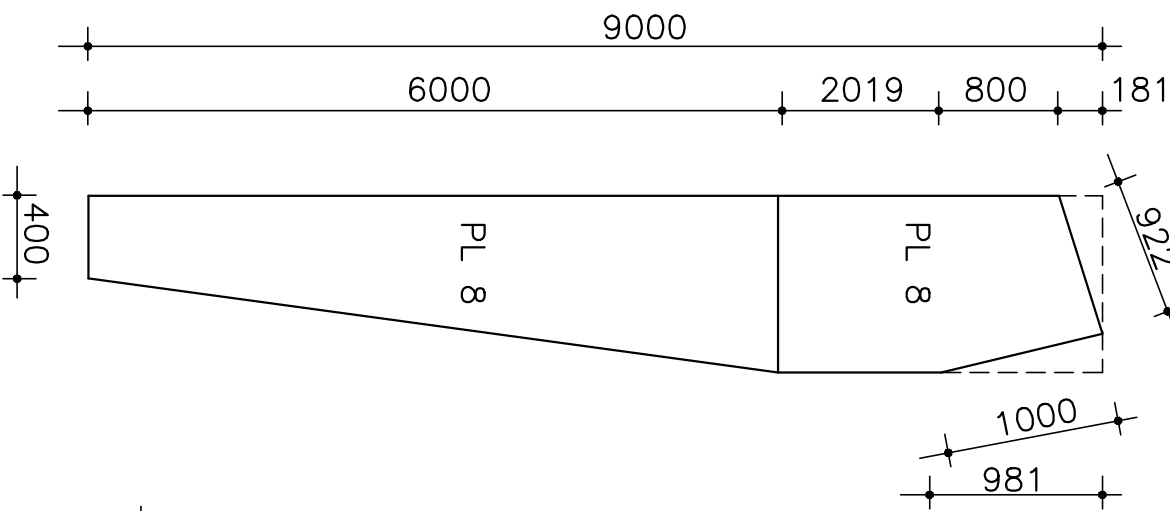


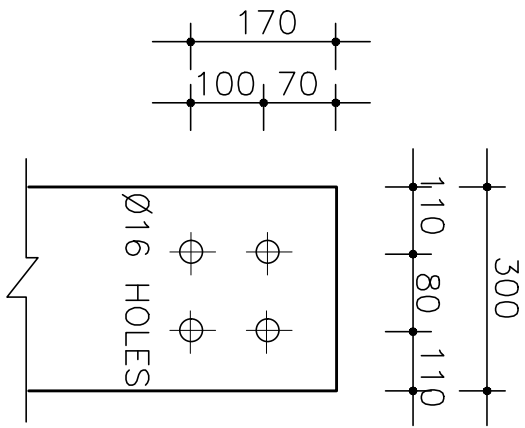
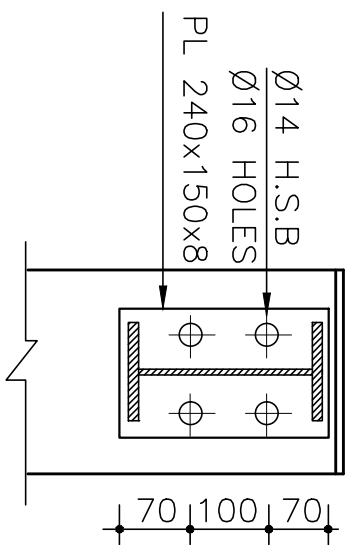
**COLUMN C-1**



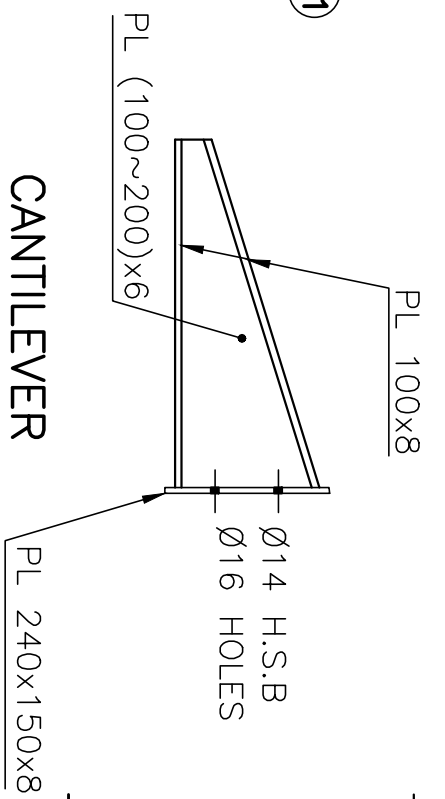
**WEB**



**FLANGE HOLES**

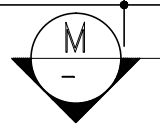


**CANTILEVER**

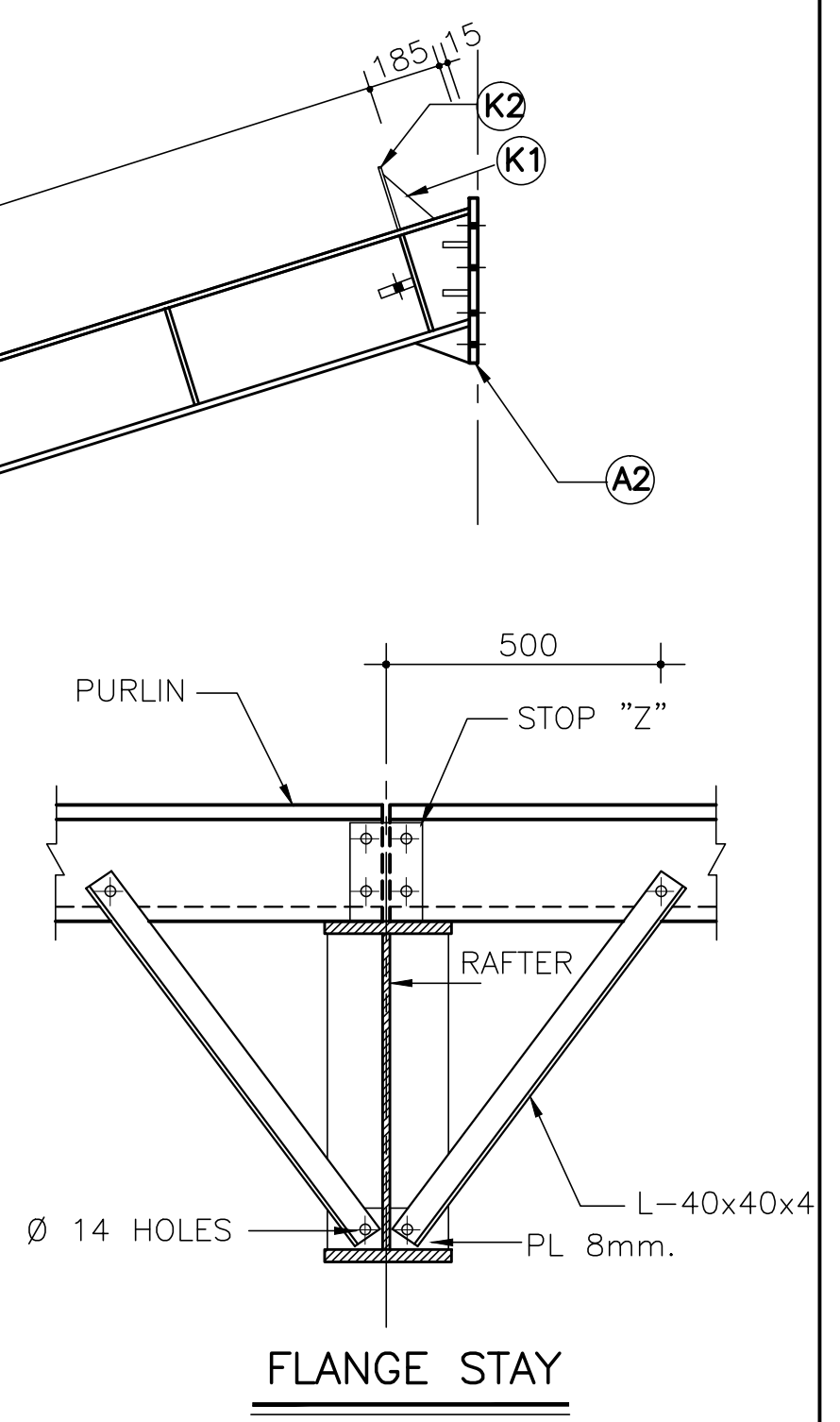
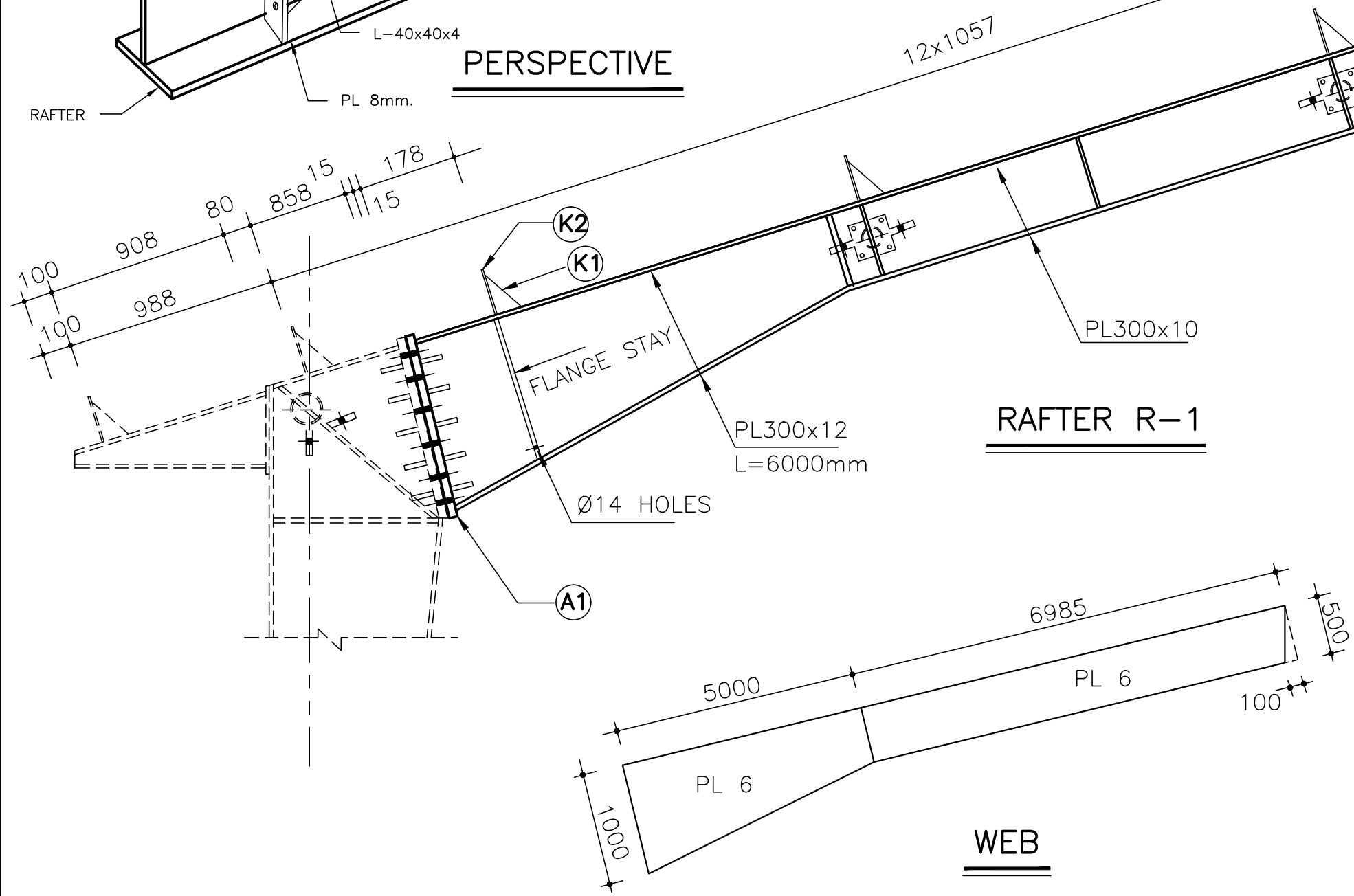
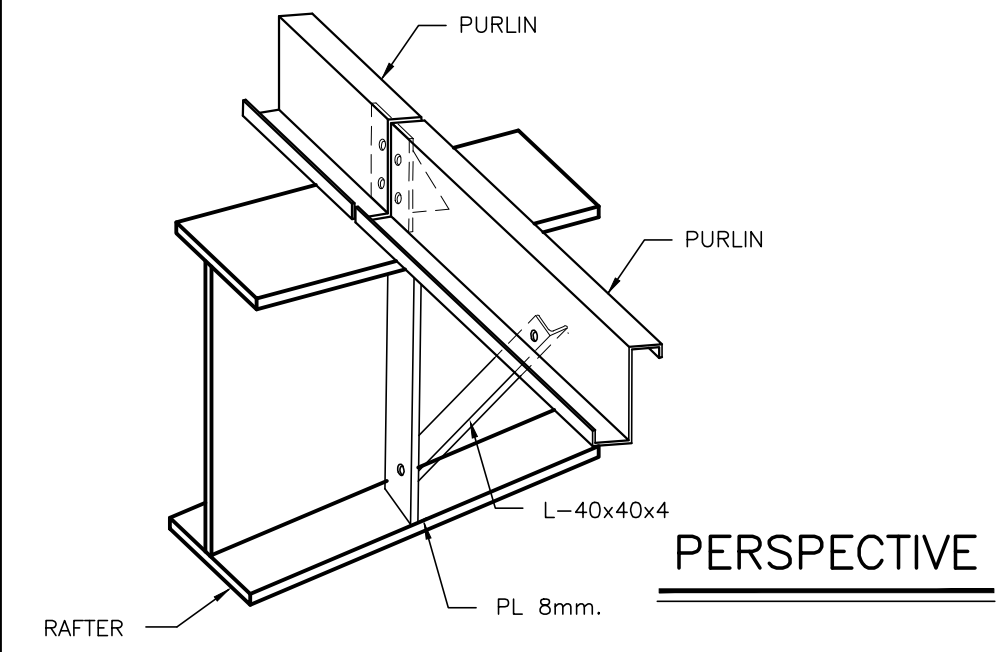


SING. APPROVED	DATE	SING. CHECKED	DATE	DESCRIPTION	REV.
F.PROJ. NO.				TITLE: <b>COLUMN C-1 AND DETAILS</b>	
T.PROJ. NO.					
D.W.G. NO. <b>S-01</b>					
DATE.				CLIENT :	
SIGNATURE				CONTRACTOR:	
DESIGN BY:				UNIT: mm.	
DRAWING BY:				SC. N.T.S	
CHECKED BY:					
APPROVED BY:					
FIELD: <b>STRUCTURE</b>					

**SECTION M**

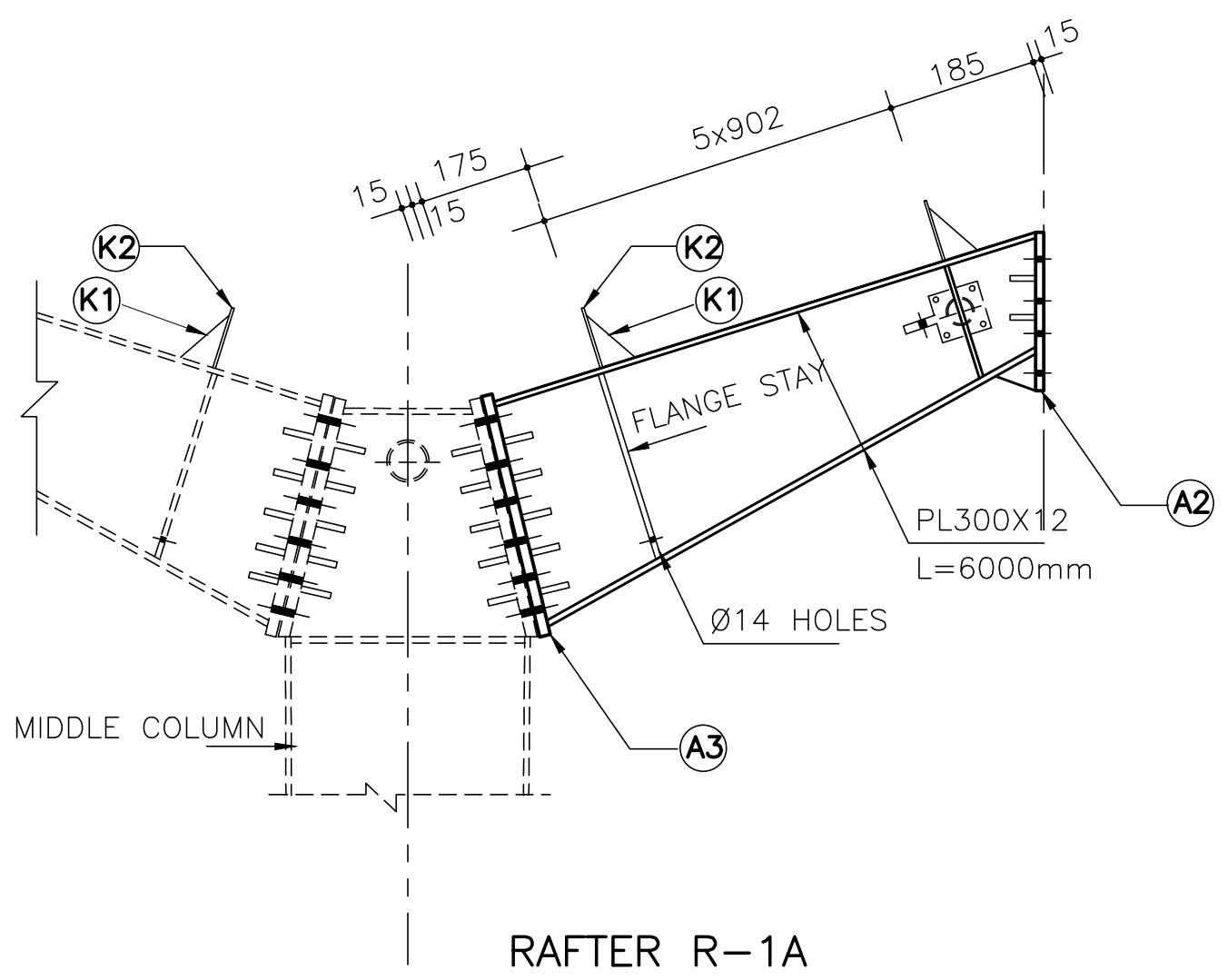


http://cadkhoda.persianblog.ir/ http://www.cadkhoda.com/  
 FILE NAME : 01-SOLEH.DWG

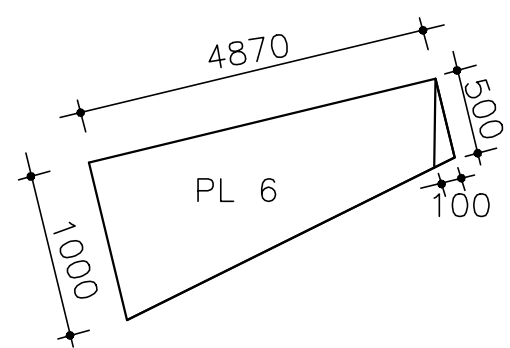


SING. APPROVED	DATE.	SING. CHECKED	DATE.	DESCRIPTION	REV.
F.PROJ. NO.				TITLE: <b>RAFTER R-1 AND DETAILS</b>	
T.PROJ. NO.					
D.W.G. NO. <b>S-02</b>					
DATE.	SIGNATURE	DATE.	SIGNATURE	CLIENT :	UNIT: mm. SC. N.T.S
	DESIGN BY:			CONTRACTOR:	
	DRAWING BY:				
	CHECKED BY:				
	APPROVED BY:				
FIELD: <b>STRUCTURE</b>					

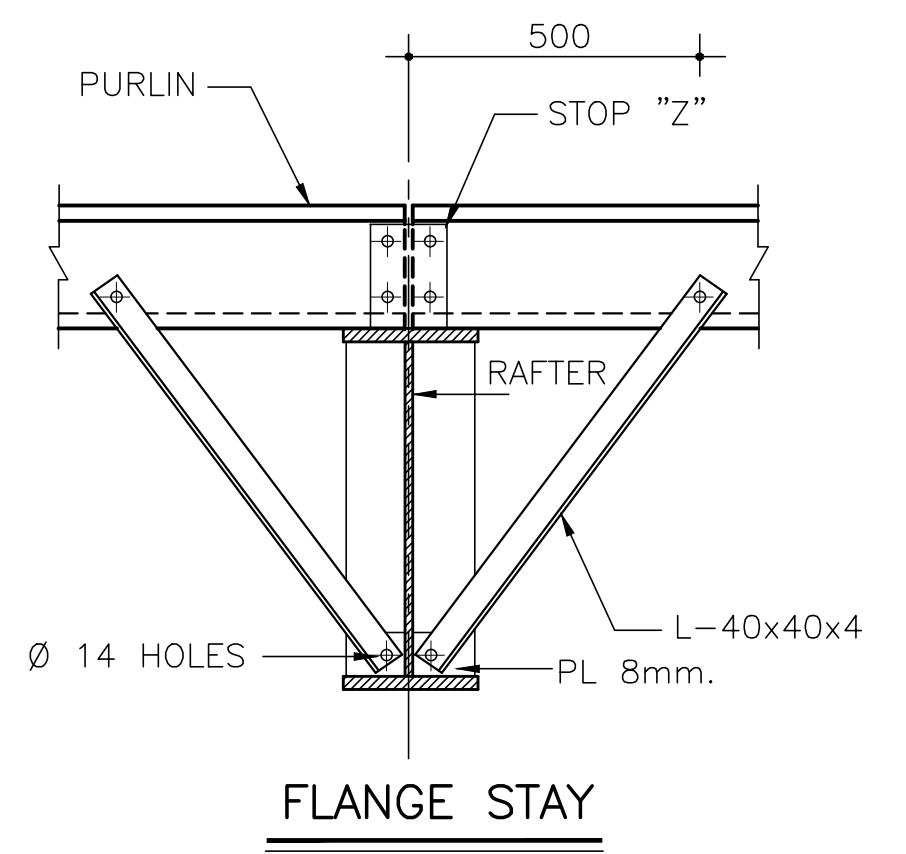
http://cadkhoda.persianblog.ir/, http://www.cadkhoda.com/  
 FILE NAME : 01-SOLEH.DWG



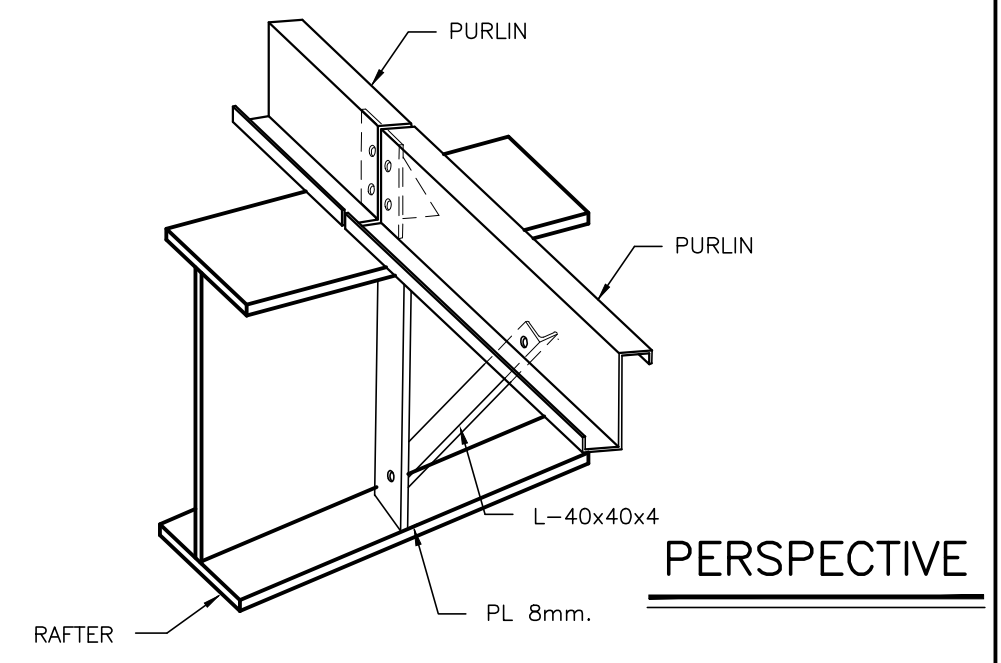
RAFTER R-1A



WEB



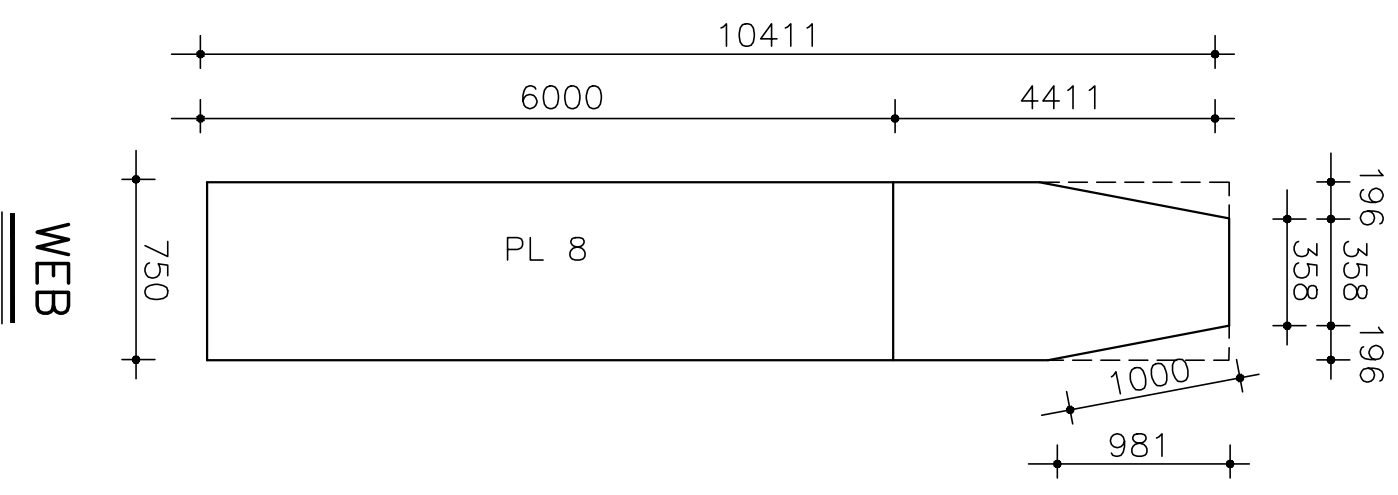
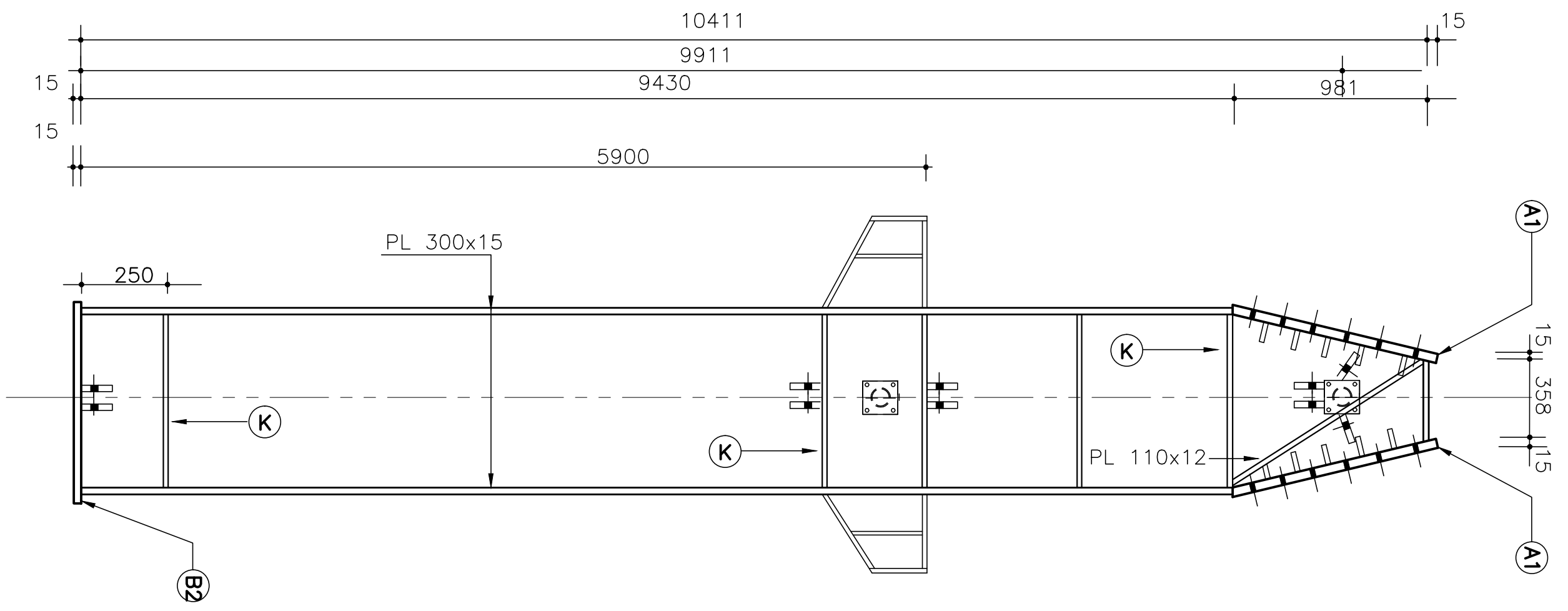
FLANGE STAY



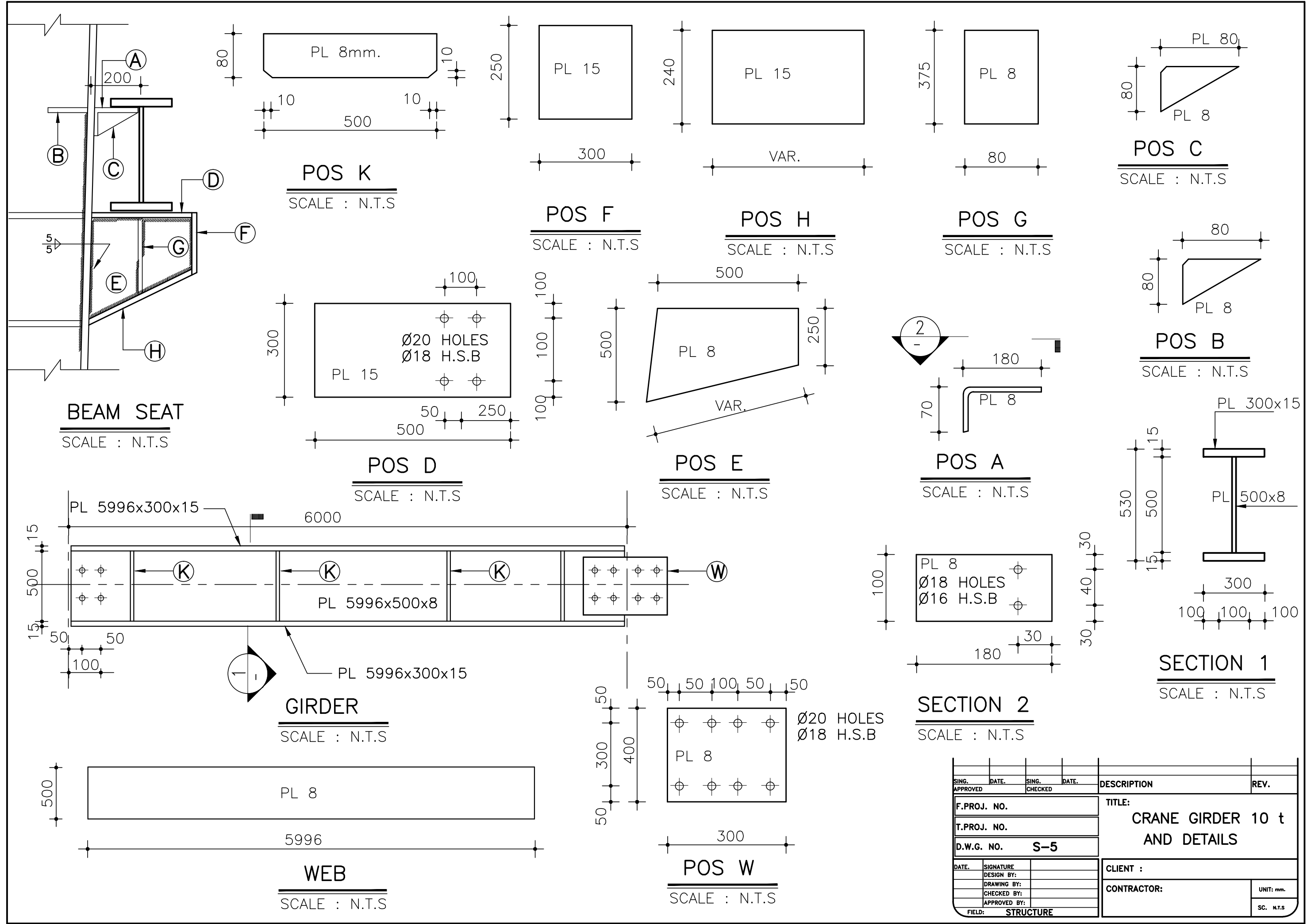
PERSPECTIVE

SING.	DATE.	SING.	DATE.	DESCRIPTION	REV.
APPROVED		CHECKED			
F.PROJ. NO.				TITLE:	
T.PROJ. NO.				RAFTER R-1A	
D.W.G. NO.				AND DETAILS	
S-03				CLIENT :	
DATE.	SIGNATURE			CONTRACTOR:	
	DESIGN BY:				UNIT: mm.
	DRAWING BY:				SC. N.T.S
	CHECKED BY:				
	APPROVED BY:				
FIELD: STRUCTURE					

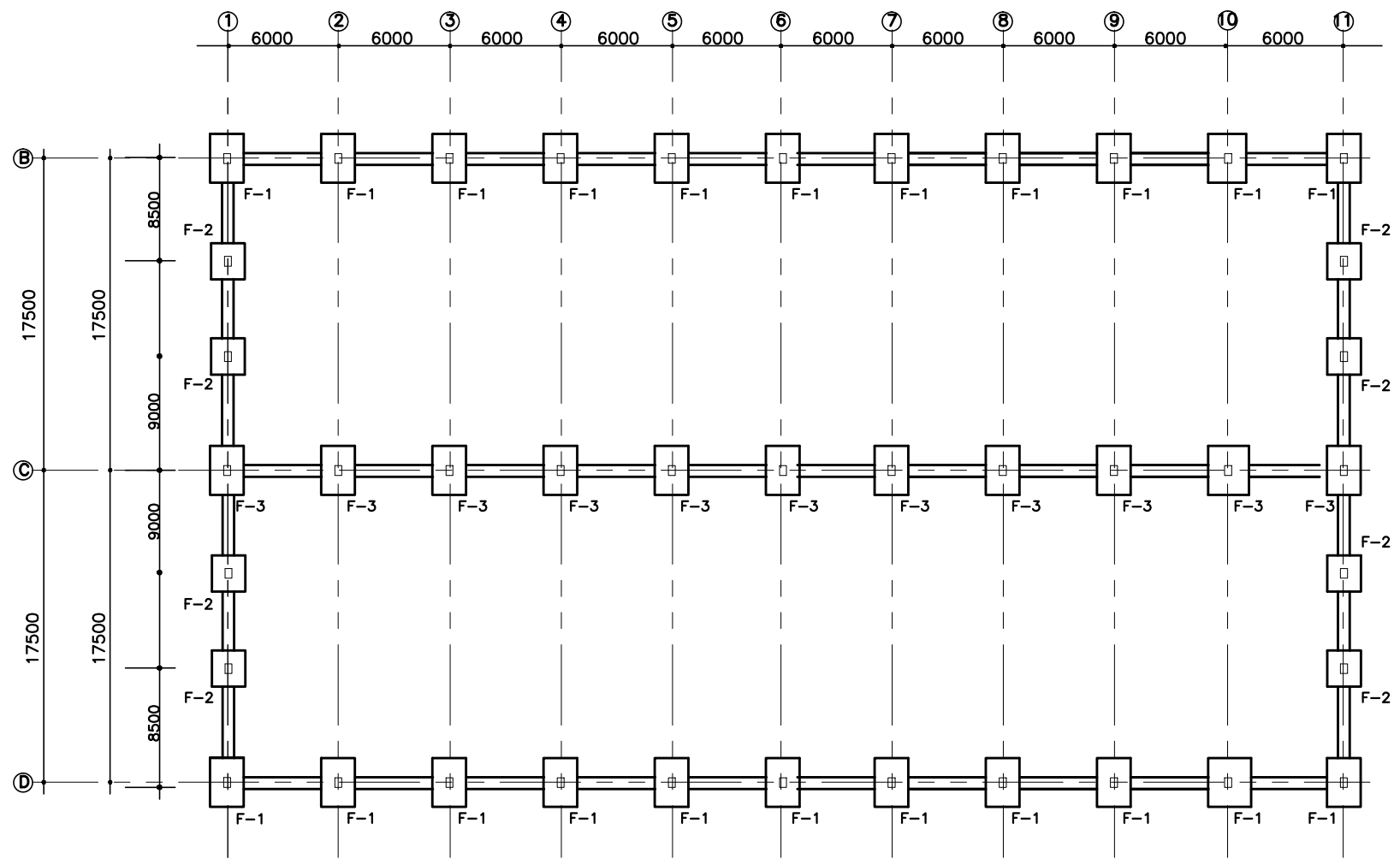
**COLUMN C-1A**



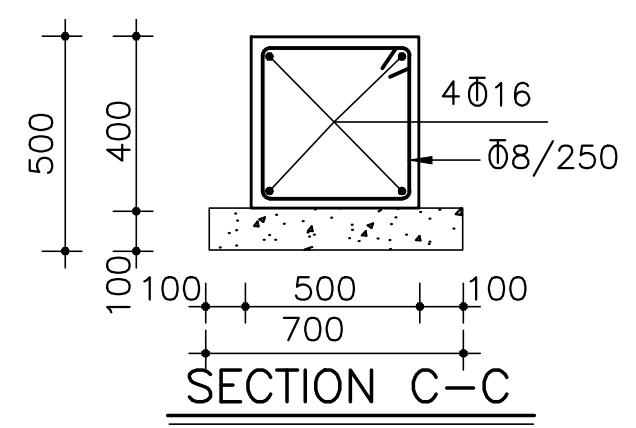
SING.	DATE.	SING.	DATE.	DESCRIPTION	REV.
APPROVED		CHECKED			
F.PROJ. NO.				TITLE:	
T.PROJ. NO.				COLUMN C-1A	
D.W.G. NO. S-04				AND DETAILS	
DATE.				CLIENT :	
SIGNATURE				CONTRACTOR:	
DESIGN BY:				UNIT: mm.	
DRAWING BY:				SC. N.T.S	
CHECKED BY:					
APPROVED BY:					
FIELD: STRUCTURE					



SING. APPROVED	DATE	SING. CHECKED	DATE	DESCRIPTION	REV.
F.PROJ. NO.				TITLE:	
T.PROJ. NO.				CRANE GIRDER 10 t	
D.W.G. NO. S-5				AND DETAILS	
DATE	SIGNATURE	DATE	SIGNATURE	CLIENT :	
	DESIGN BY:			CONTRACTOR:	UNIT: mm.
	DRAWING BY:				SC. N.T.S
	CHECKED BY:				
	APPROVED BY:				
FIELD: STRUCTURE					

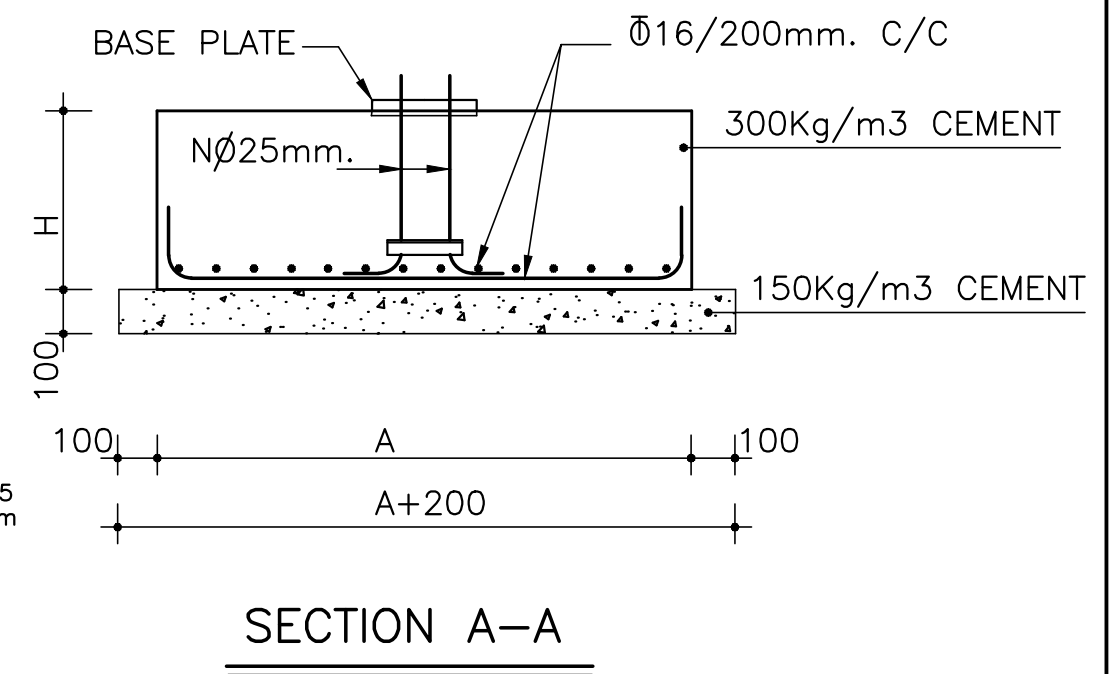
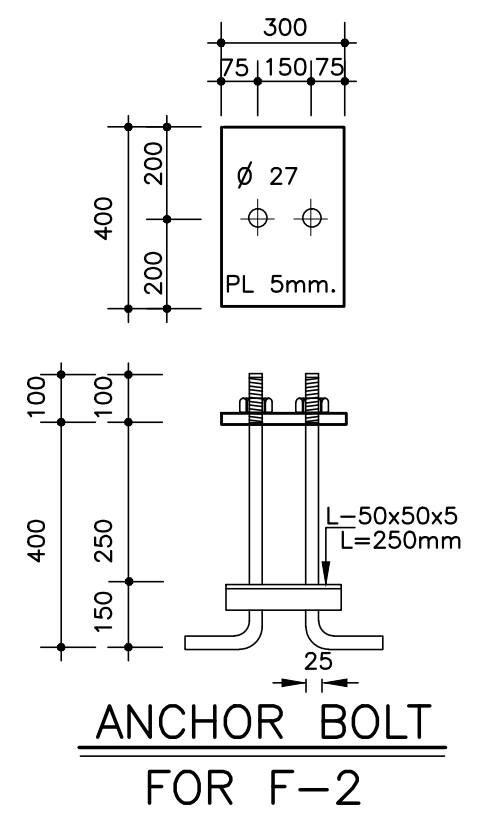
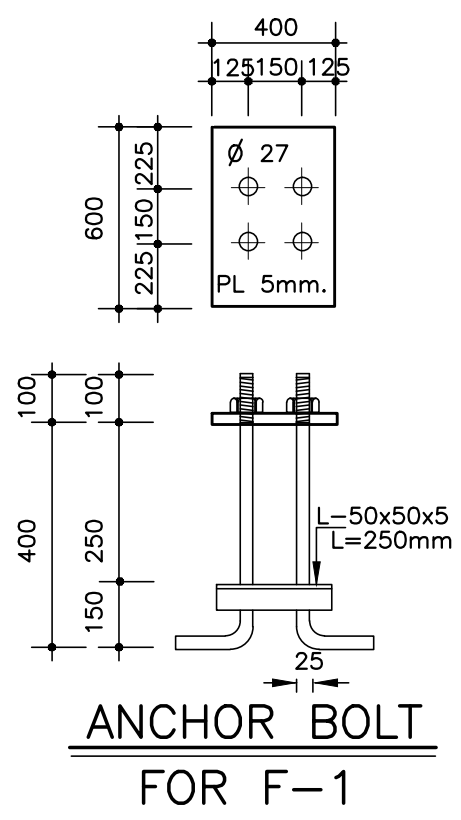
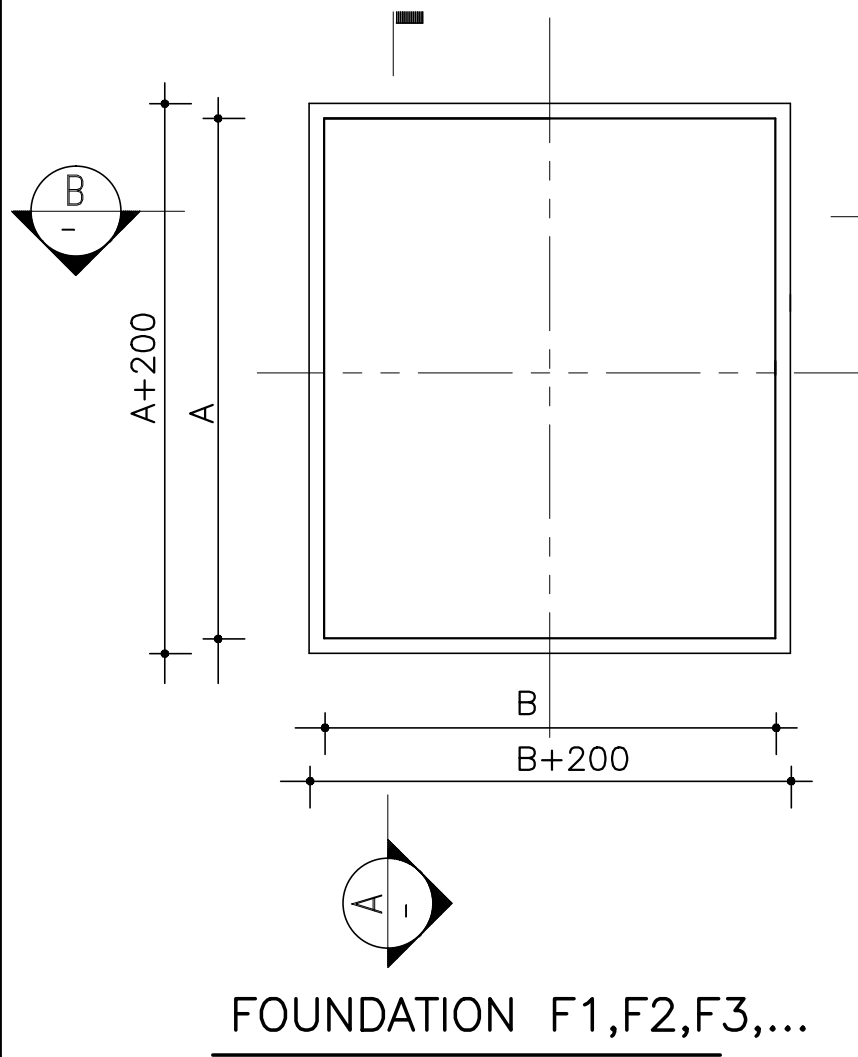


FOUNDATION PLAN

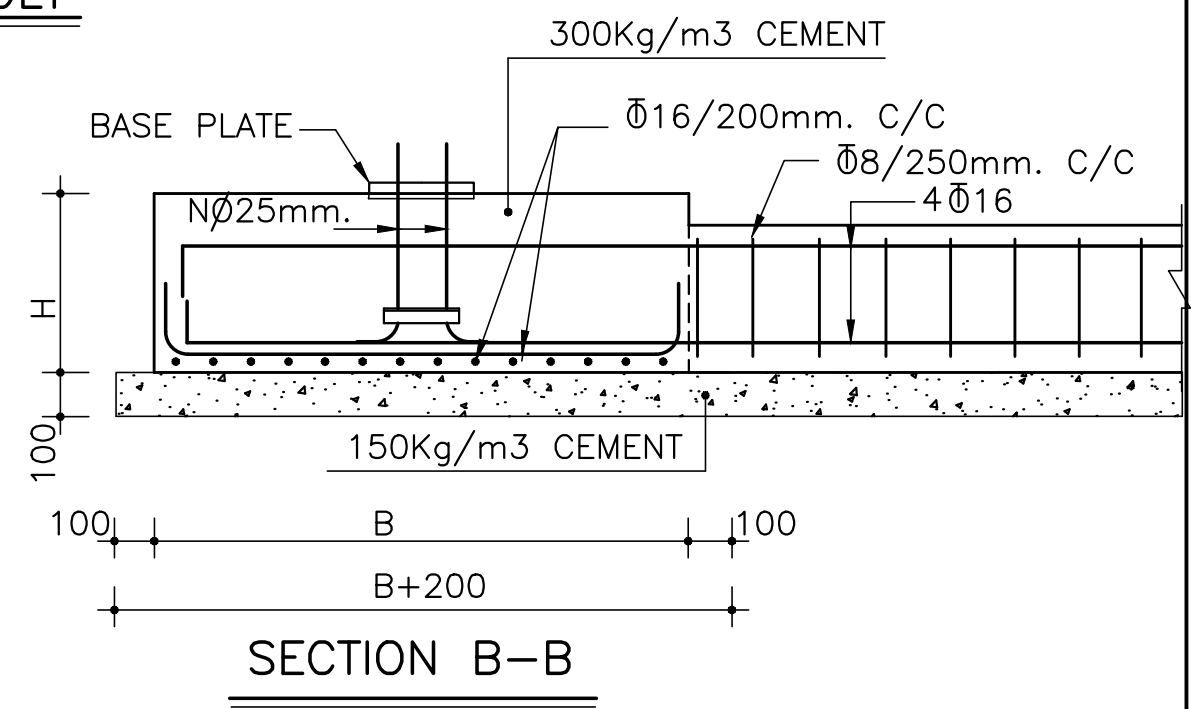
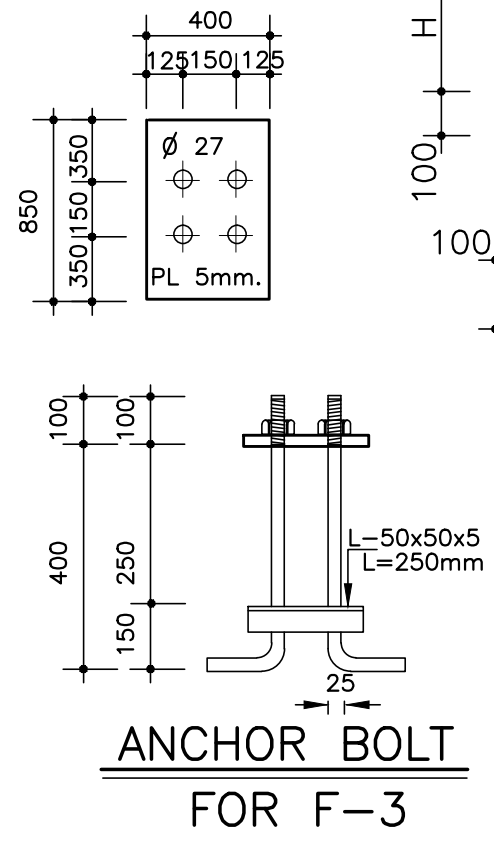


SECTION C-C

SING.	DATE.	SING.	DATE.	DESCRIPTION	REV.
APPROVED		CHECKED		TITLE: <b>FOUNDATION AND DETAILS</b>	
F.PROJ. NO.					
T.PROJ. NO.					
D.W.G. NO. <b>S-6</b>				CLIENT :	
DATE.	SIGNATURE				CONTRACTOR:
	DESIGN BY:				SC. N.T.S
	CHECKED BY:				
	APPROVED BY:				
FIELD: <b>STRUCTURE</b>					

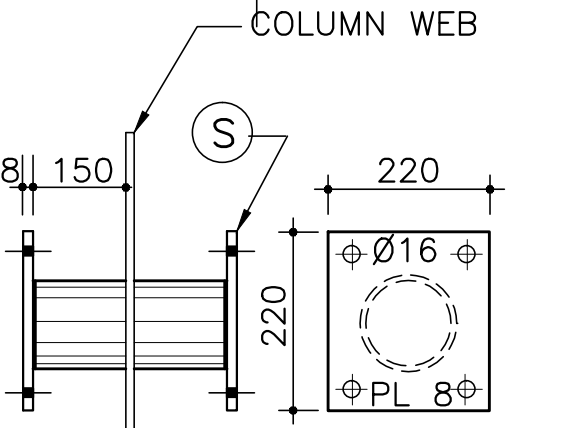
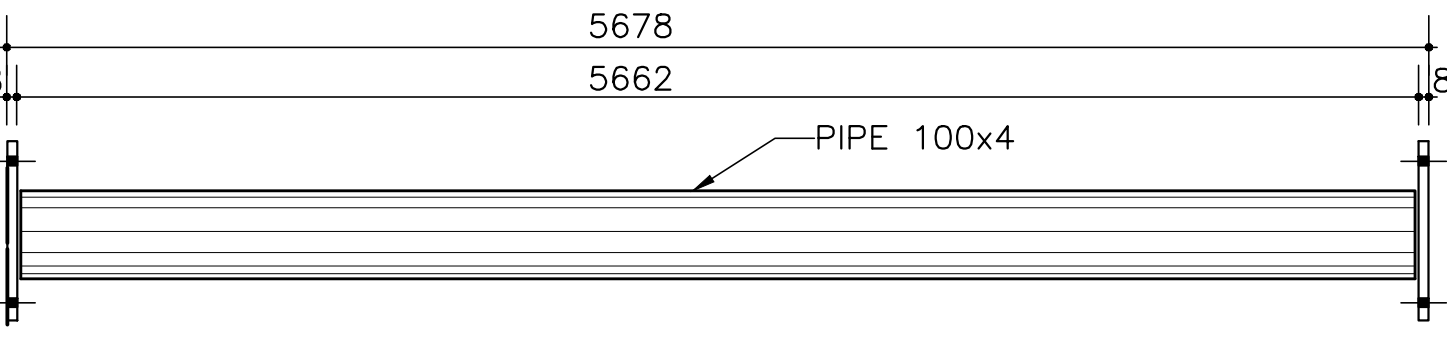
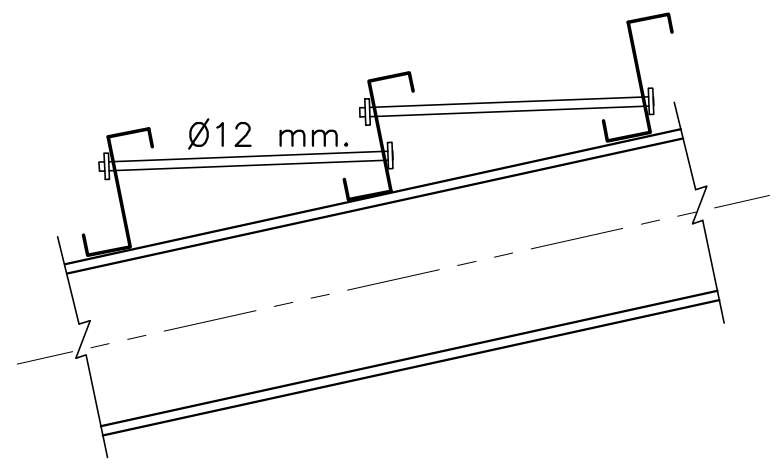
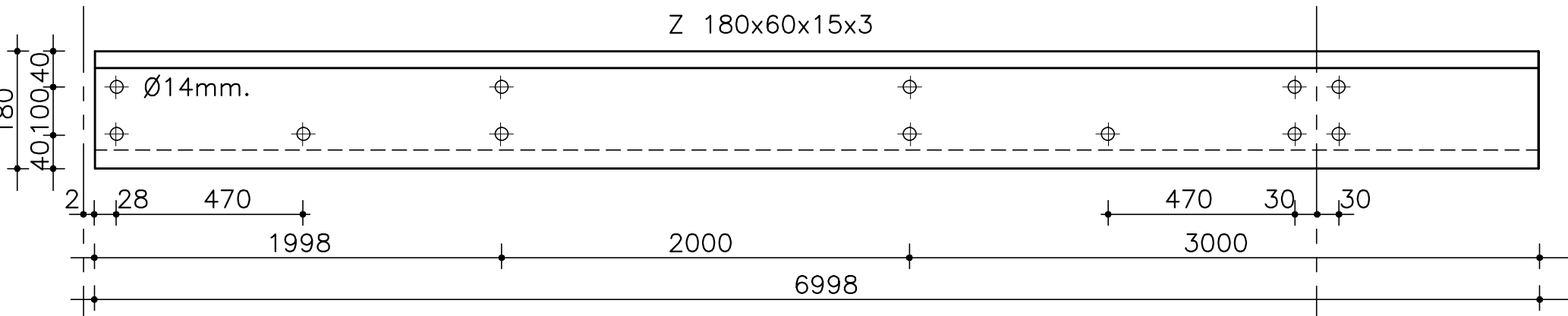
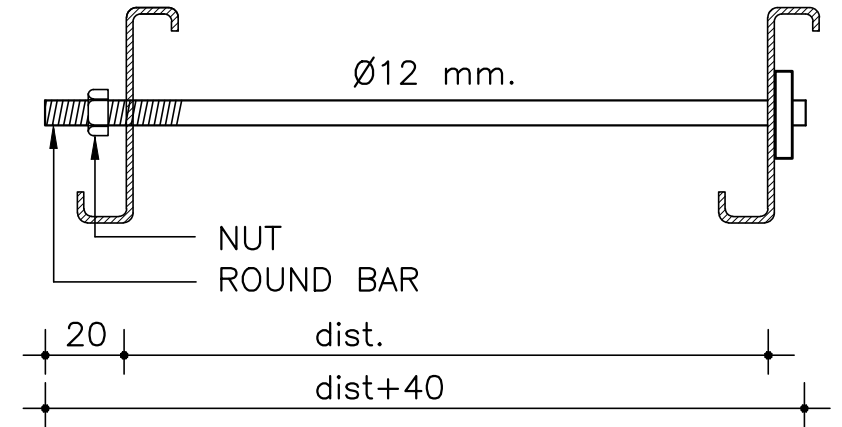
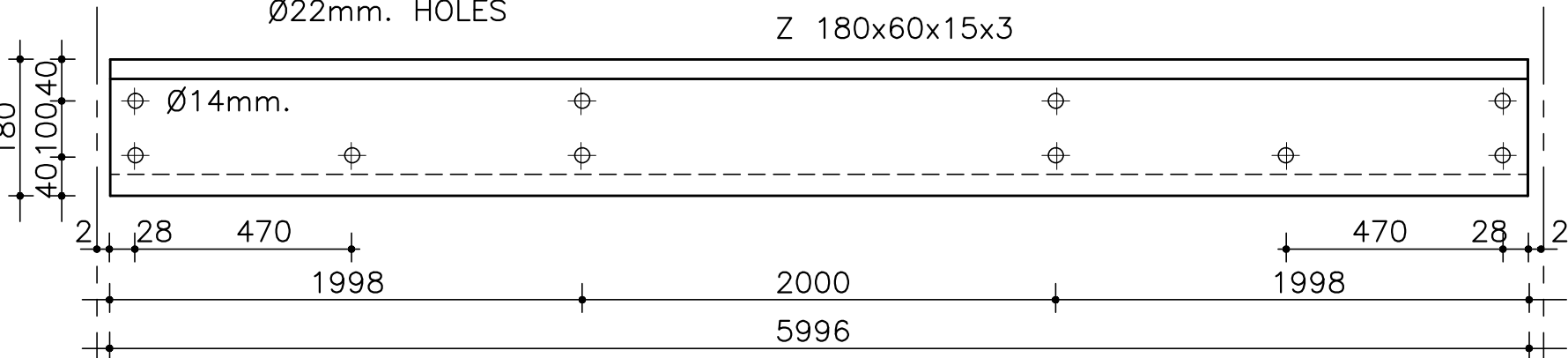
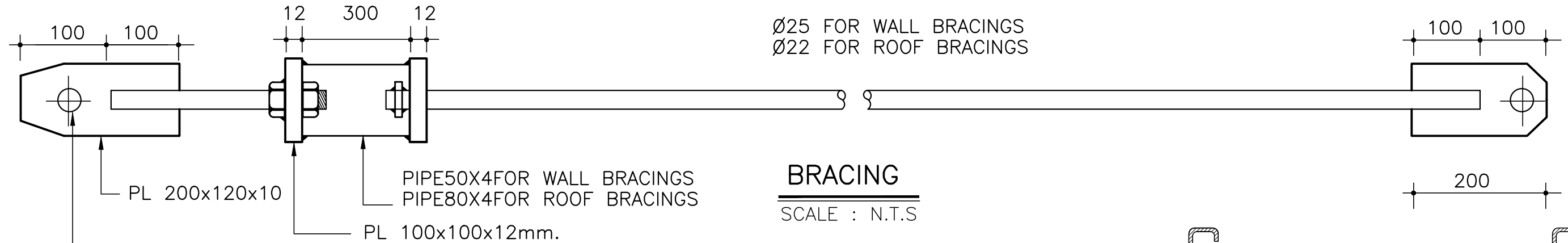


TYPE	A	B	H	BOT. REINF.		TOP REINF.	
				CROSS	ALONG	CROSS	ALONG
F-1	2200	1700	500	Ø16/200	Ø16/200	—	—
F-2	1300	1300	500	Ø16/200	Ø16/200	—	—
F-3	2700	1700	500	Ø16/200	Ø16/200	—	—



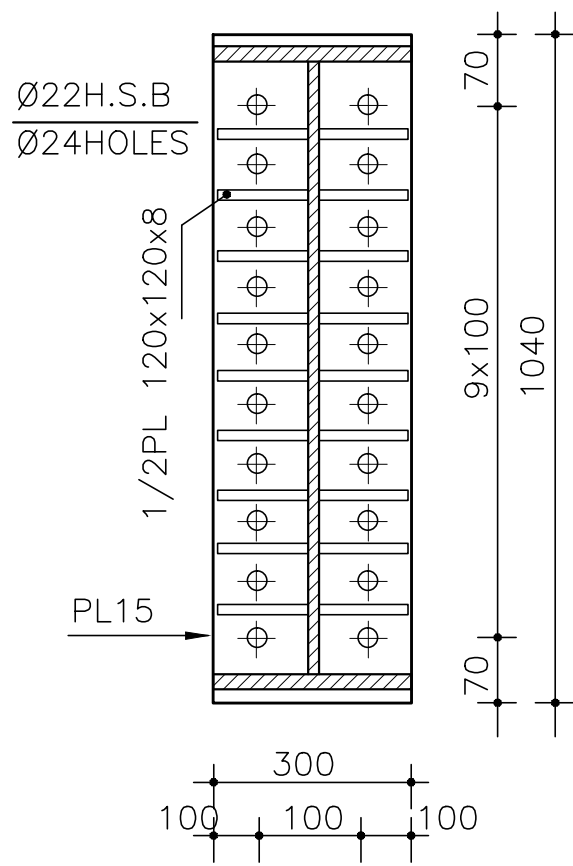
SING. APPROVED	DATE	SING. CHECKED	DATE	DESCRIPTION	REV.
F.PROJ. NO.				TITLE: <b>FOUNDATION AND DETAILS</b>	
T.PROJ. NO.					
D.W.G. NO. <b>S-7</b>					
DATE	SIGNATURE	DATE	SIGNATURE	CLIENT :	UNIT: mm.
	DESIGN BY:			CONTRACTOR:	SC. N.T.S
	DRAWING BY:				
	CHECKED BY:				
	APPROVED BY:			FIELD: <b>STRUCTURE</b>	

http://cadkhoda.persianblog.ir/, http://www.cadkhoda.com/  
 FILE NAME : 01-SOLEH.DWG

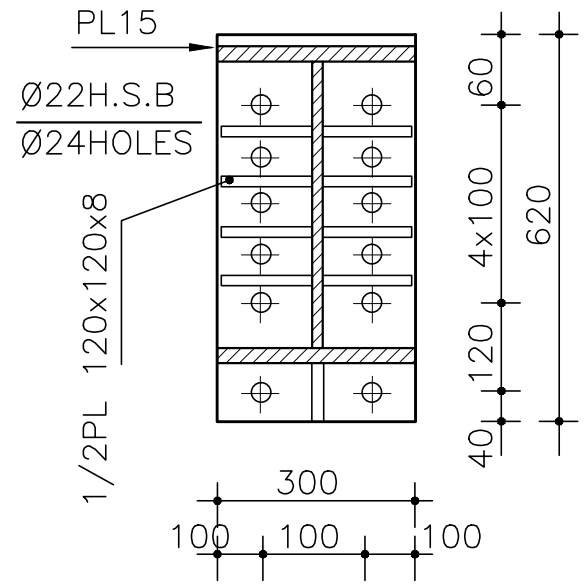


SING.	DATE.	SING.	DATE.	DESCRIPTION	REV.
APPROVED		CHECKED		<b>TITLE:</b> BRACING, STRUT PURLINS, SAGROD AND DETAILS	
F.PROJ. NO.					
T.PROJ. NO.					
D.W.G. NO.	S-8			CLIENT :	
DATE.	SIGNATURE			CONTRACTOR:	UNIT: mm.
	DESIGN BY:				SC. N.T.S
	DRAWING BY:				
	CHECKED BY:				
	APPROVED BY:				
FIELD:	STRUCTURE				

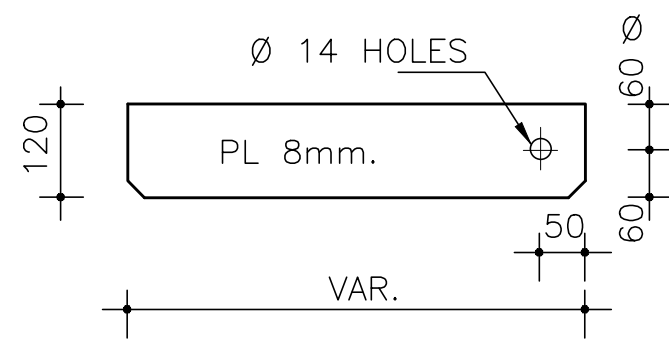




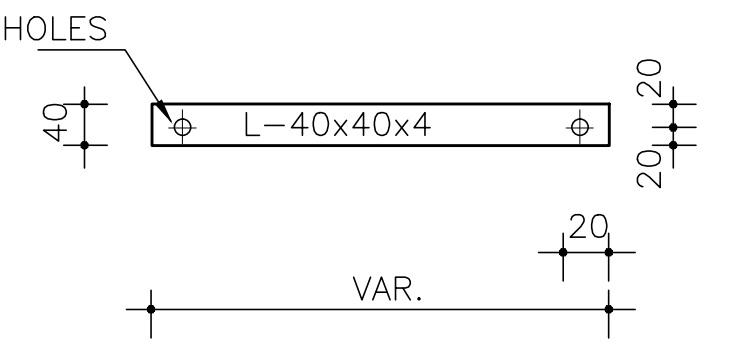
**FLANGE A1**  
 SCALE : N.T.S



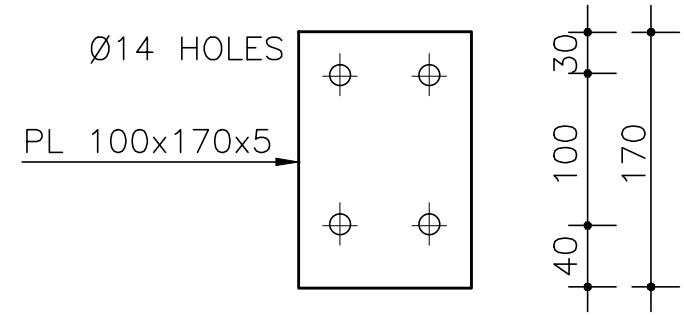
**FLANGE A2**  
 SCALE : N.T.S



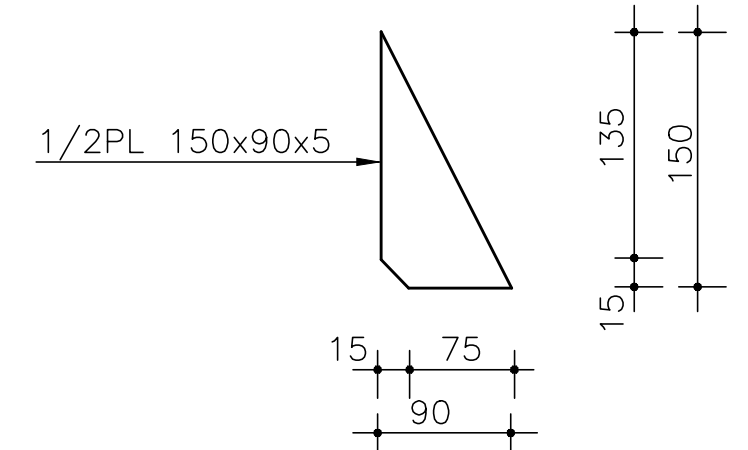
**STIFF. K**  
 SCALE : N.T.S



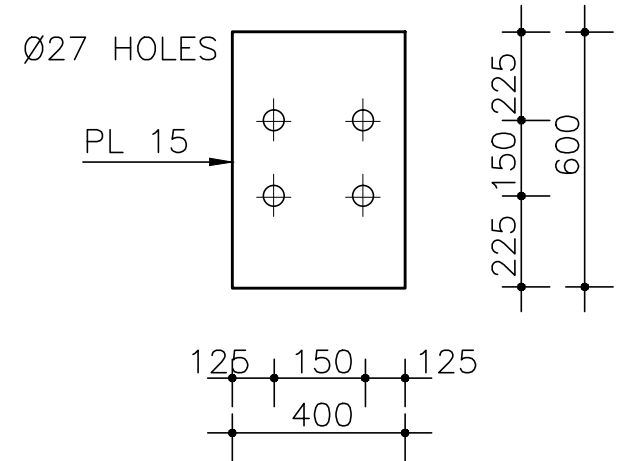
**FLANGE STAY**  
 SCALE : N.T.S



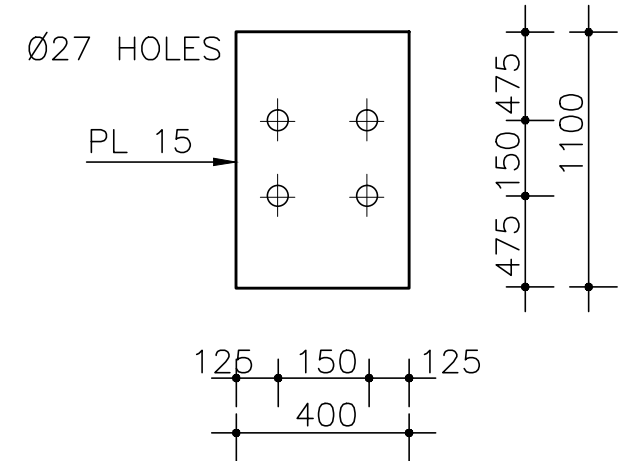
**STIFF. K2**  
 SCALE : N.T.S



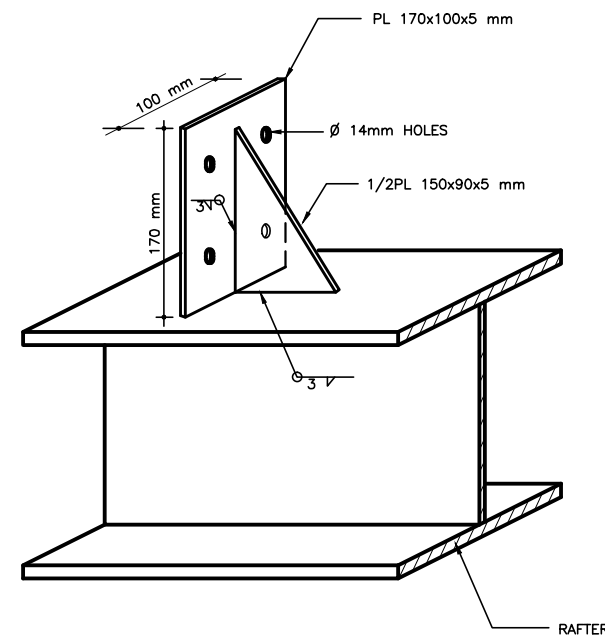
**STIFF. K1**  
 SCALE : N.T.S



**BASE PLATE B1**  
 SCALE : N.T.S

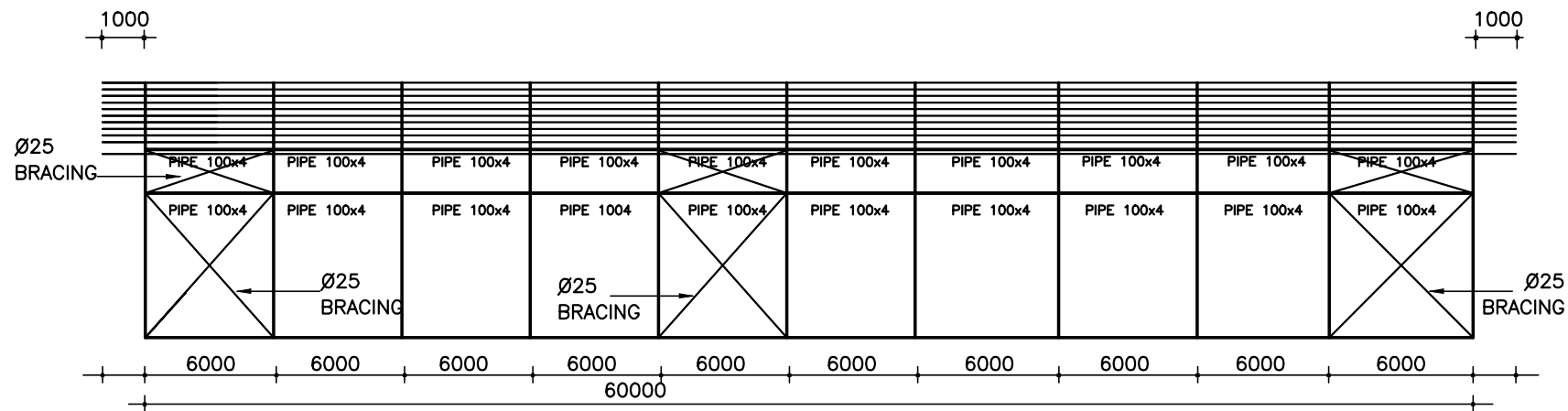


**BASE PLATE B2**  
 SCALE : N.T.S



**STOP "Z"**  
 SCALE : N.T.S

SING.	DATE.	SING.	DATE.	DESCRIPTION	REV.
APPROVED		CHECKED			
F.PROJ. NO.				TITLE: <b>FLANGE,STIFFENERS, STOP Z, BASE PLATE AND DETAILS</b>	
T.PROJ. NO.					
D.W.G. NO. <b>S-09</b>					
DATE.	SIGNATURE	CLIENT :			
	DESIGN BY:	CONTRACTOR:			UNIT: mm.
	DRAWING BY:				SC. N.T.S
	CHECKED BY:				
	APPROVED BY:				
FIELD: <b>STRUCTURE</b>					

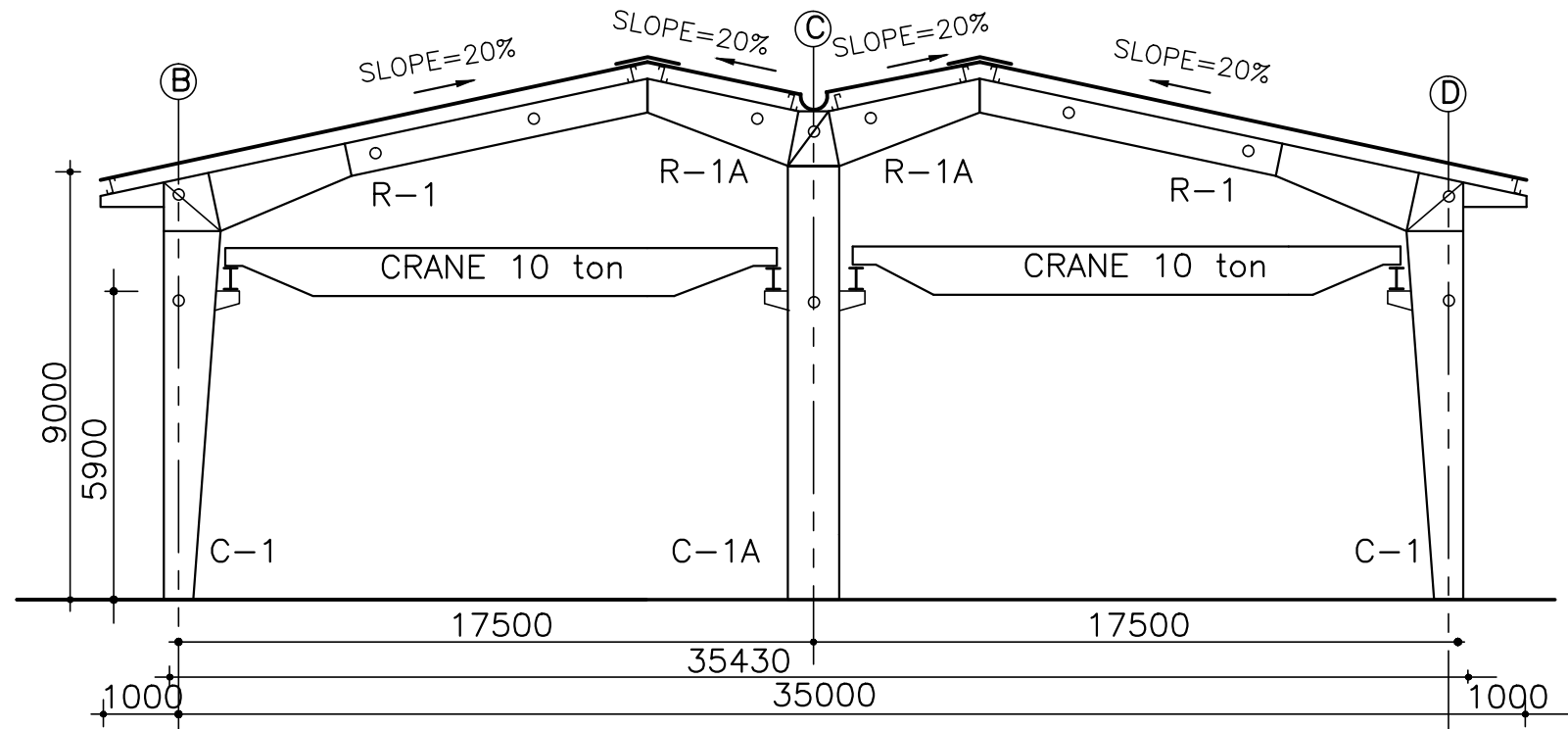


SIDE VIEW AXIS B&C&D

NOTE :

- 1- SNOW LOADING : 50 Kg/m<sup>2</sup>
- 2- WIND LOADING : 100 Kg/m<sup>2</sup>
- 3- YIELDING STRESS :2400 Kg/Cm<sup>2</sup>

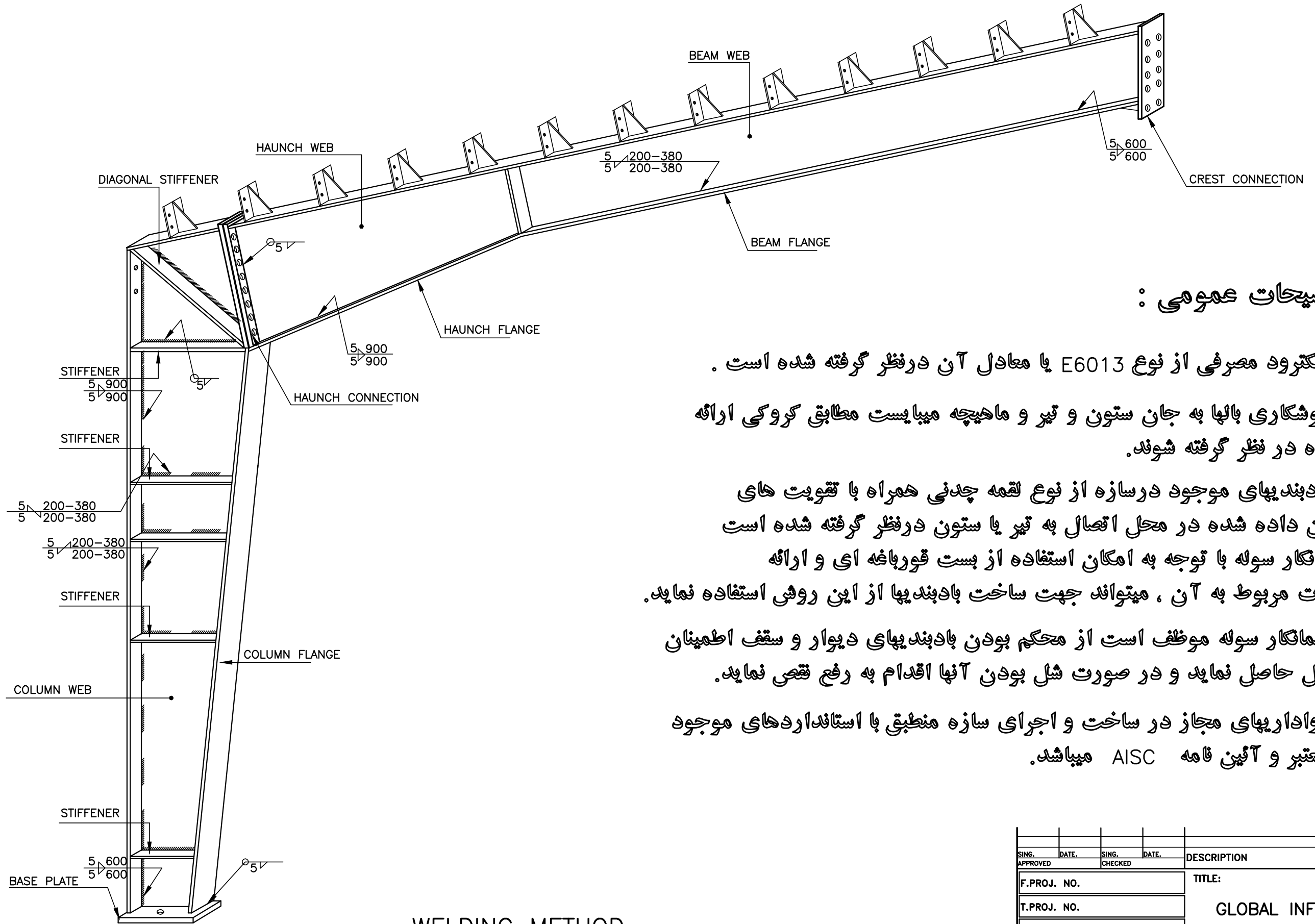
SING.	DATE.	SING.	DATE.	DESCRIPTION	REV.
APPROVED		CHECKED			
F.PROJ. NO.				TITLE: CROSS SECTION AND SIDE VIEW	
T.PROJ. NO.					
D.W.G. NO. S-10					
DATE.	SIGNATURE			CLIENT :	
	DESIGN BY:			CONTRACTOR:	
	DRAWING BY:				UNIT: mm.
	CHECKED BY:				SC. N.T.S
	APPROVED BY:				
FIELD: STRUCTURE					



CROSS SECTION AXIS 1 TO 11

- 1- SNOW LOADING : 50 Kg/m<sup>2</sup>
- 2- WIND LOADING : 100 Kg/m<sup>2</sup>
- 3- YIELDING STRESS :2400 Kg/Cm<sup>2</sup>

SING.	DATE.	SING.	DATE.	DESCRIPTION	REV.
APPROVED		CHECKED			
F.PROJ. NO.				TITLE:	
T.PROJ. NO.				CROSS SECTION	
D.W.G. NO. S-11				AND SIDE VIEW	
DATE.	SIGNATURE			CLIENT :	
	DESIGN BY:			CONTRACTOR:	
	DRAWING BY:			UNIT: mm.	
	CHECKED BY:			SC. N.T.S	
	APPROVED BY:				
FIELD: STRUCTURE					



**توضیحات عمومی :**

- ۱) الکتروود مصرفی از نوع E6013 یا معادل آن در نظر گرفته شده است .
- ۲) جوشکاری بالها به جان ستون و تیر و ماهیچه میبایست مطابق کروکی ارائه شده در نظر گرفته شوند.
- ۳) بادبندیهای موجود در سازه از نوع لقمه چدنی همراه با تقویت های نشان داده شده در محل اتصال به تیر یا ستون در نظر گرفته شده است پیمانکار سوله با توجه به امکان استفاده از بست قورباغه ای و ارائه جزئیات مربوط به آن ، میتواند جهت ساخت بادبندیها از این روش استفاده نماید.
- ۴) پیمانکار سوله موظف است از محکم بودن بادبندیهای دیوار و سقف اطمینان کامل حاصل نماید و در صورت شل بودن آنها اقدام به رفع نقص نماید.
- ۵) رواداریهای مجاز در ساخت و اجرای سازه منطبق با استانداردهای موجود و معتبر و آئین نامه AISC میباشد.

**WELDING METHOD**

SCALE : N.T.S

SING.	DATE.	SING.	DATE.	DESCRIPTION	REV.
APPROVED		CHECKED			
F.PROJ. NO.				TITLE:	
T.PROJ. NO.				GLOBAL INFORMATION	
D.W.G. NO. S-00					
DATE.	SIGNATURE		CLIENT :		
	DESIGN BY:		CONTRACTOR:		
	DRAWING BY:		UNIT: mm.		
	CHECKED BY:		SC. N.T.S		
	APPROVED BY:				
FIELD: STRUCTURE					